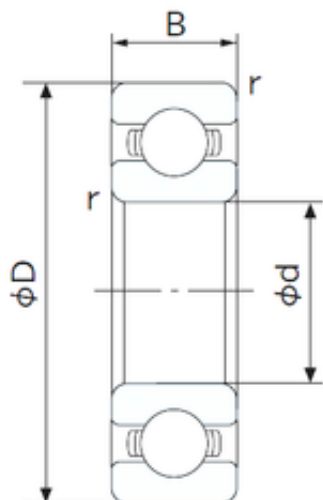




# ABEC BEARING SERIES LTD



Motor Vehicle Auto Bearings 6203 2RS 6203zz  
 Ball Roller Joint Bearings 6000, 6200, 6300 Series  
 for Auto Parts NACHI, Timken, NSK, NTN,  
 Koyo, SKF

Bearing No. 6203

6203 Bearing 2D drawings and 3D CAD models

Size	17x40x12 mm
Bore Diameter	17 mm
Outer Diameter	40 mm
Width	12 mm
d	17 mm
D	40 mm
B	12 mm
C	12 mm
r min.	0.6 mm
da min.	22 mm
Da max.	35 mm
ra max.	0.6 mm
Weight	0.065 Kg
Basic dynamic load rating (C)	9,55 kN
Basic static load rating (C0)	4,8 kN
(Grease) Lubrication Speed	17000 r/min
Category	Single Row Ball Bearings
Inventory	0.0
Manufacturer Name	NACHI
Minimum Buy Quantity	N/A
Weight / Kilogram	0
Product Group	B00308
Enclosure	Open



## ABEC BEARING SERIES LTD

Precision Class	ABEC 1   ISO P0
Maximum Capacity / Filling Slot	No
Rolling Element	Ball Bearing
Snap Ring	No
Internal Special Features	No
Cage Material	Steel
Internal Clearance	C0-Medium
Inch - Metric	Metric
Long Description	17MM Bore; 40MM Outside Diameter; 12MM Outer Race Width; Open; Ball Bearing; ABEC 1   ISO P0; No Filling Slot; No Snap Ring; No Internal Special Features; C0-Medium Internal Clearance; Steel Cage
Other Features	Deep Groove
Category	Single Row Ball Bearing
UNSPSC	31171504
Harmonized Tariff Code	8482.10.50.68
Noun	Bearing
Keyword String	Ball
Manufacturer URL	<a href="http://www.nachiamerica.com">http://www.nachiamerica.com</a>
Weight / LBS	0.146
Outer Race Width	0.472 Inch   12 Millimeter
Outside Diameter	1.575 Inch   40 Millimeter
Inner Race Width	0 Inch   0 Millimeter
Bore	0.669 Inch   17 Millimeter
Bore Type	Cylindrical Bore
Configuration	Single Row
Bore Size	17 mm
Width	12 mm



## ABEC BEARING SERIES LTD

Fillet Radius/Chamfer	0.6 mm
Dynamic Load Rating	9,550 N
Static Load Rating	4,800 N
Limiting Speed - Grease	18,000 rpm
Limiting Speed - Oil	21,000 rpm
Factor fo	13.1
Radial Clearance	0.003 to 0.018 mm
da (min)	22 mm
Da (max)	35 mm
ra (max)	0.6 mm